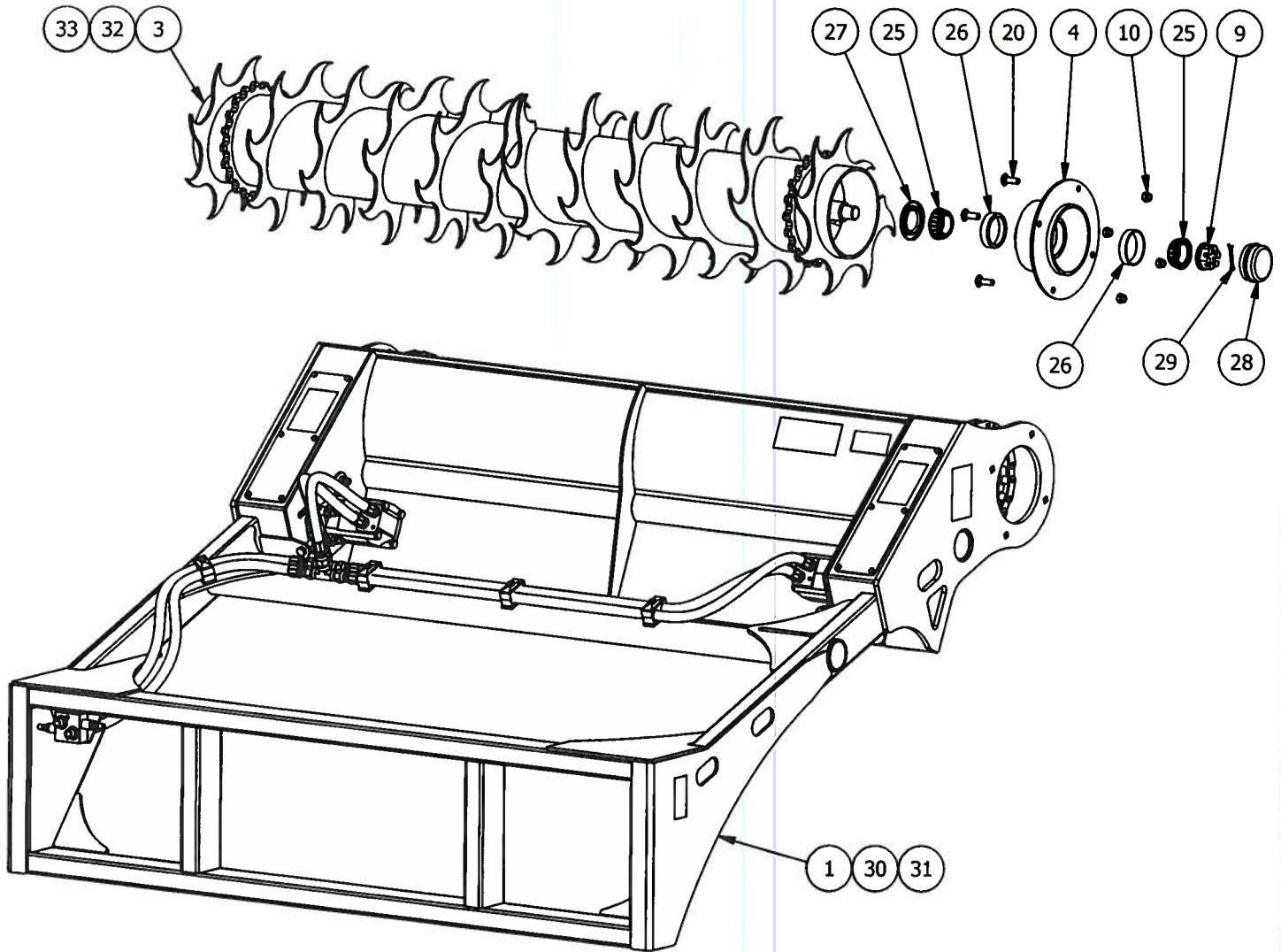


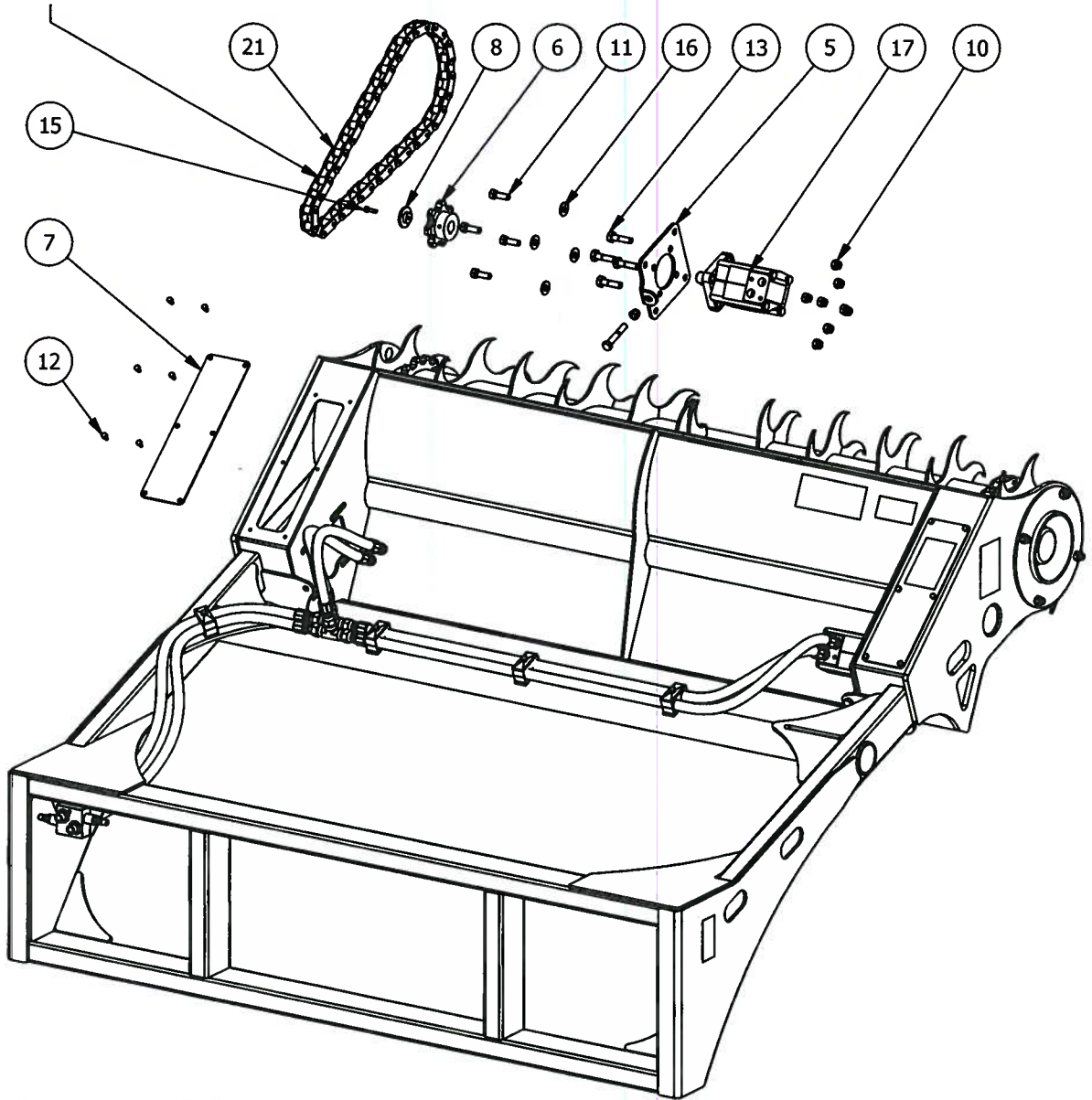
# Drum/Bearing Parts List



Parts List			
ITEM	QTY	PART NUMBER	DESCRIPTION
1	1	LP-100095	72" Silage Facer Frame Assembly
3	1	LP-100098	72" Silage Facer Tooth Drum Weldment
4	2	LP-100094	Silage Facer Bearing Hub
9	2	11-1582	1-1/4" - 12 Flanged Castle Nut
10	26	LA-SB1022	1/2" Lock Nut
20	8	11-1576	1/2" x 1-1/2" Carriage Bolt
25	4	11-1074	[Cone(25590)]
26	4	11-1075	[Cup(25520)]
27	2	11-1073	[Seal(CR20148)]
28	2	11-1153	10,000 lb Dust Cover
29	2	11-1016	3/16 x 2 Cotter Pin
30	1	LP-100096	84" Silage Facer Frame Assembly
31	1	LP-100097	96" Silage Facer Frame Assembly
32	1	LP-1000099	84" Silage Facer Tooth Drum Weldment
33	1	LP-100100	96" Silage Facer Tooth Drum Weldment

# Drive Parts List

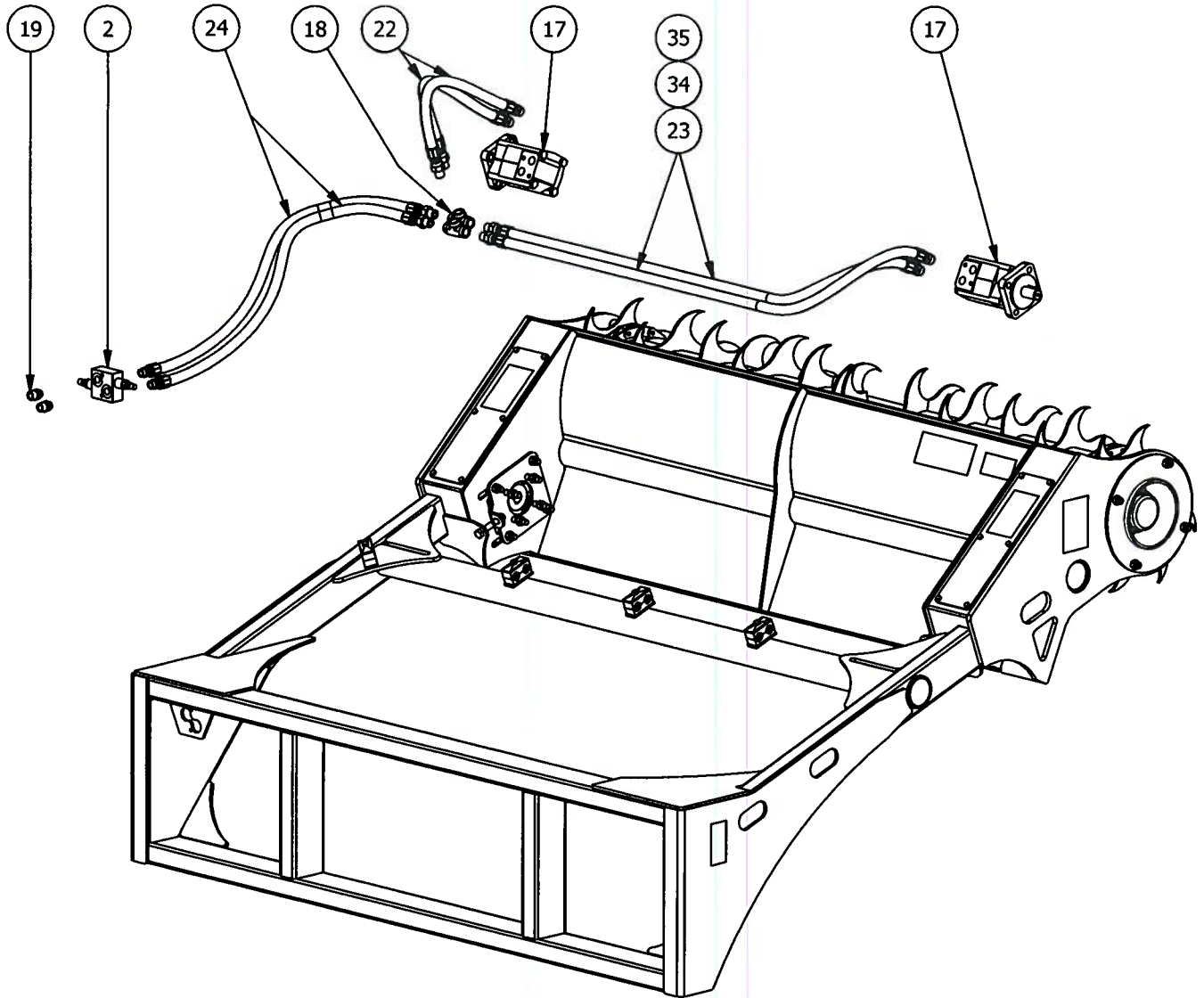
Part# LP-10CA557 length is 10'  
 (Enough chain to replace both sides)



Parts List			
ITEM	QTY	PART NUMBER	DESCRIPTION
5	2	LP-100125	Silage Facer Chain Tightener Plate
6	2	LP-100126	Silage Facer Drive Sprocket
7	2	LP-100124	Silage Facer Chain Inspection Cover
8	2	LP-100127	Drive Sprocket Retainer Washer
10	26	LA-SB1022	1/2" Lock Nut
11	8	LA-SB1184	1/2" x 1-1/2" Bolt & Lock Washer
12	12	11-1580	1/4" x 1/2" Bolt
13	8	LA-SB1149	1/2" x 2" Bolt
14	2	LA-SB1024	1/2" x 3" Bolt
15	2	11-1581	1/4" x 1" Bolt
16	8	11-1579	1/2" Flat Washer
17	2	HM-MLHS80D4UD	M+S Hydraulic Motor MLHS80 w/ Taper Roller Bearings
21	2	LP-10CA557	Silage Facer Drive Chain (10')

# Hydraulic Components

CA557



Parts List			
ITEM	QTY	PART NUMBER	DESCRIPTION
2	1	LA-SB2000RV	Crossover Relief Valve
17	2	HM-MLHS80D4UD	M+S Hydraulic Motor MLHS80 w/ Taper Roller Bearings
18	2	HF-5605080808	1/2" TEE FEMALE-NPT
19	2	HF-64010808	1/2" Male ORB - 1/2" Male NPT Adapter
22	2	HH-100034	Left Drive Hose
23	2	HH-100035	SBF72 Right Drive Hose
24	2	HH-100036	Drive Supply Hose
34	1	HH-100037	SBF84 Right Drive Hose
35	1	HH-100038	SBF96 Right Drive Hose